

Switched and Interlocked Receptacles.

Enhance
safety.
Fusible or
non-fusible.



MENNEKES® Switched and Interlocked Receptacles.

Switched and Interlocked Receptacles provide safety and durability in one pre-wired unit. Patented interlock mechanism prohibits the switch from being turned "ON" unless the plug is fully inserted. The plug cannot be removed unless the switch is turned "OFF".

DIN rail and screw mounting of components facilitates maintenance.

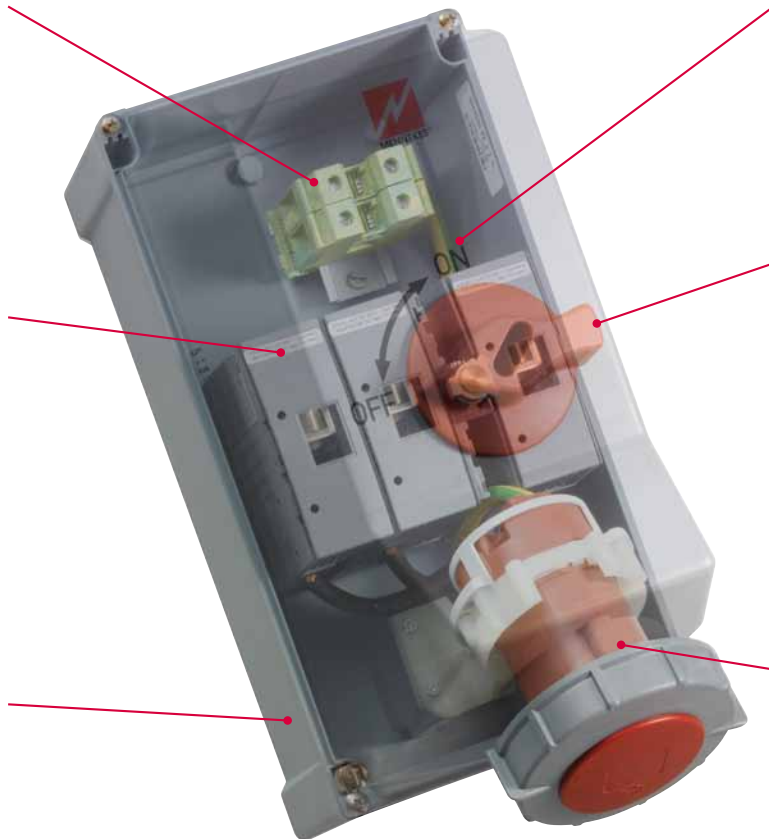
Generous wiring space allows for convenient access to field terminals.

Heavy duty HP Rated switch factory wired to receptacle. Oversized terminals help ease installation.

High visibility, pad-lockable handle actuates switch and receptacle interlock mechanism to assure "no-load" make and break of plug connected equipment.

NEMA 4X Valox enclosure; impact modified and chemical resistant. Features poured-in-place gasketing and molded conduit drillpoints in top, bottom and rear wall.

Thermoplastic receptacle available in 20A, 30A, 60A and 100A IEC 60309 configurations. Compatible with like rated plugs from other manufacturers.



Features and benefits

- **Factory Wired - Single Unit Construction** - Receptacle is pre-wired to the switch for quick installation. Mount with moveable mounting feet to allow for irregular surfaces or utilize the internal mounting tubes when mounting area is limited.
- **Switch** - Available non-fusible and fusible (30A & 60A). Self-cleaning contacts are driven by solid bridge bar to prevent single phasing of motors. Quick-Make/Quick-Break action provides long electrical life. Positive opening operation protects personnel from welded contacts.
- **NEMA 4X; 12 Enclosure** - Uses poured-in seamless gasket and stainless fixing screws for the ultimate seal. Impact modified Valox enclosure is resistant to harsh environments. *Hidden Hinge System* on fusible units eliminates sanitation concerns.
- **Padlockable Handle** - Rugged high visibility design to comply with OSHA LO/TO requirements. (Reg. 1910.147).
- **Auxiliary Contacts** - Full range available in N/O and N/C style.

LockOUT-LET Series

Fusible Interlocked Receptacles

30 & 60 Amp; NEMA 4X; 12



ORDERING INFORMATION

AMP	CONFIGURATION	VOLTAGE	HP RATING STANDARD	HP RATING MAXIMUM *	RECEPTACLE CATALOG NO.	MATING PLUG CATALOG NO.
30	2 Pole, 3 Wire	250	1 1/2	5	ME 330MIF6	ME 330P6W
	3 Pole, 4 Wire	125/250	1/2; 1 1/2	2; 5	ME 430MIF12	ME 430P12W
		3Ø250	3	7.5	ME 430MIF9	ME 430P9W
		3Ø480	5	15	ME 430MIF7	ME 430P7W
3Ø600	7 1/2	20	ME 430MIF5	ME 430P5W		
60	2 Pole, 3 Wire	250	3	10	ME 360MIF6	ME 360P6W
	3 Pole, 4 Wire	125/250	1 1/2; 3	3; 10	ME 460MIF12	ME 460P12W
		3Ø250	7.5	15	ME 460MIF9	ME 460P9W
		3Ø480	15	30	ME 460MIF7	ME 460P7W
		3Ø600	15	30	ME 460MIF5	ME 460P5W
	4 Pole, 5 Wire	3ØY120/208	7.5	15	ME 560MIF9	ME 560P9W
3ØY277/480		15	30	ME 560MIF7	ME 560P7W	
3ØY347/600	15	50	ME 560MIF5	ME 560P5W		

* Requires use of Time Delay - Fuses not provided.
Fuse Holders for Type J Fuses, CC Available for 30A Models.

Compliances and Features:

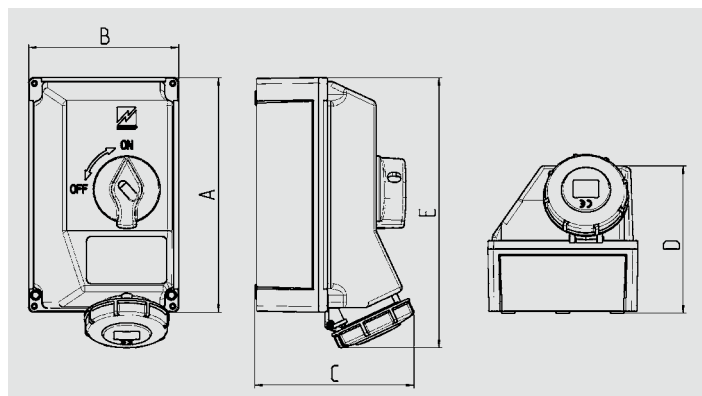
- Standard 98; Enclosed Switches
- to CSA 22.2 No. 4-M89; Enclosed Switches
- Standards 1682; 1686 - Plugs and Receptacles, Pin and Sleeve Style
- IEC 60309-1; IEC 60309-2
- Environmental: NEMA Type 4X; 12
- UL94 - 5V Flame Rating
- UV Stabilized Material
- Switch: 100kAIC Short Circuit Rating
- UL Endurance Test: 6,000 Electrical Cycles, 10,000 Mechanical Cycles
- Removable Type J fuse holders
- Hinged Enclosure for convenient access

AUXILIARY CONTACTS: 10A 600VAC

DESCRIPTION	CATALOG NO.
For 30 Amp, 1 N/O or 1 N/C	ME 30FDAUX
For 60 Amp, 1 N/O and 1 N/C	ME 60FDAUX

REPLACEMENT SWITCHES

DESCRIPTION	CATALOG NO.
30 Amp	ME 30MIFX
60 Amp	ME 60MIFX



Approximate Dimensions (in inches)

	30 AMP	60 AMP
A	10.30	13.00
B	6.56	7.00
C	6.69	9.25
D	6.44	8.38
E	12.00	14.62

LockOUT-LET Series

Non-Fusible Interlocked Receptacles




20, 30 & 60 Amp; NEMA 4X; 12

ORDERING INFORMATION



AMP	CONFIGURATION	VOLTAGE	HP RATING	RECEPTACLE CATALOG NO. *	MATING PLUG CATALOG NO.
20	3 Pole, 4 Wire	125/250	1; 3	ME 420MI12	ME 420P12W
		3Ø250	7.5	ME 420MI9	ME 420P9W
		3Ø480	15	ME 420MI7	ME 420P7W
		3Ø600	15	ME 420MI5	ME 420P5W
30	2 Pole, 3 Wire	125	2	ME 330MI4	ME 330P4W
		250	5	ME 330MI6	ME 330P6W
		480	10	ME 330MI7	ME 330P7W
	3 Pole, 4 Wire	125/250	2; 5	ME 430MI12	ME 430P12W
		3Ø250	10	ME 430MI9	ME 430P9W
		3Ø480	20	ME 430MI7	ME 430P7W
		3Ø600	20	ME 430MI5	ME 430P5W
	4 Pole, 5 Wire	3ØY120/208	7.5	ME 530MI9	ME 530P9W
3ØY277/480		20	ME 530MI7	ME 530P7W	
3ØY347/600		20	ME 530MI5	ME 530P5W	
60	2 Pole, 3 Wire	250	10	ME 360MI6	ME 360P6W
		480	20	ME 360MI7	ME 360P7W
	3 Pole, 4 Wire	125/250	3; 10	ME 460MI12	ME 460P12W
		3Ø250	20	ME 460MI9	ME 460P9W
		3Ø480	40	ME 460MI7	ME 460P7W
		3Ø600	50	ME 460MI5	ME 460P5W
	4 Pole, 5 Wire	3ØY120/208	20	ME 560MI9	ME 560P9W
		3ØY277/480	40	ME 560MI7	ME 560P7W
3ØY347/600		50	ME 560MI5	ME 560P5W	

Compliances and Features:

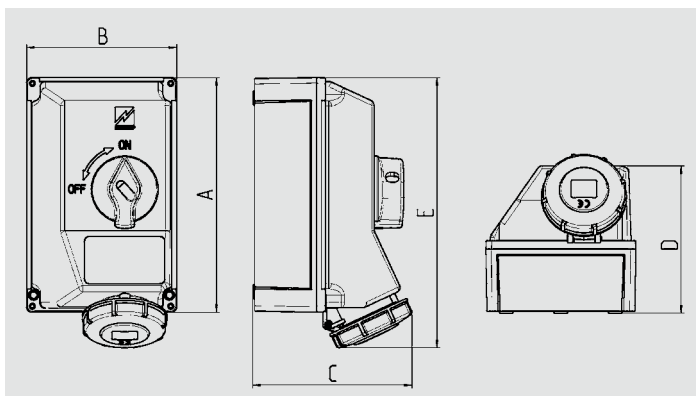
-  Standard 508; Industrial Control Equipment
-  to CSA 22.2 No. 4-M91
-  Standards 1682; 1686 - Plugs and Receptacles, Pin and Sleeve Style
- IEC 60309-1; IEC 60309-2
- Environmental: NEMA Type 4X; 12
- UL94 - 5V Flame Rating
- UV Stabilized Material
- 10kAIC Short Circuit Rating
- UL Endurance Test:
10,000 Electrical Cycles, 15,000 Mechanical Cycles

AUXILIARY CONTACTS: 10A 600VAC

DESCRIPTION	CATALOG NO.
For 20 & 30 Amp, 1 N/O and 1 N/C	ME 30AUX
For 60 Amp, 1 N/O and 1 N/C	ME 80AUX

REPLACEMENT SWITCHES

DESCRIPTION	CATALOG NO.
20 Amp	ME 20MIX
30 Amp	ME 30MIX
60 Amp	ME 60MIX



Approximate Dimensions (in inches)

	20 AMP	30 AMP 3, 4 Wire	30 AMP 5 Wire	60 AMP
A	10.30	10.30	10.30	13.00
B	6.56	6.56	6.56	7.00
C	6.69	6.69	6.69	9.25
D	6.44	6.44	6.44	8.38
E	12.00	12.00	12.00	14.62
Hub size	1	1	1	1 1/4

LockOUT-LET Series

Non-Fusible Interlocked Receptacles

100 Amp; NEMA 4X; 12



ORDERING INFORMATION

AMP	CONFIGURATION	VOLTAGE	HP RATING	CATALOG NO.	PLUG PART NO.
100	2 Pole, 3 Wire	1Ø125	5	ME 3100MI4	ME 3100P4W
		1Ø250	15	ME 3100MI6	ME 3100P6W
		1Ø480	30	ME 3100MI7	ME 3100P7W
	3 Pole, 4 Wire	1Ø 2P 125/250	5/15	ME 4100MI12	ME 4100P12W
			25	ME 4100MI9	ME 4100P9W
		3Ø250	50	ME 4100MI7	ME 4100P7W
			50	ME 4100MI5	ME 4100P5W
	4 Pole, 5 Wire	3ØY120/208	25	ME 5100MI9	ME 5100P9W
			50	ME 5100MI7	ME 5100P7W
50			ME 5100MI5	ME 5100P5W	
3ØY277/480	3ØY347/600				

Compliances and Features:

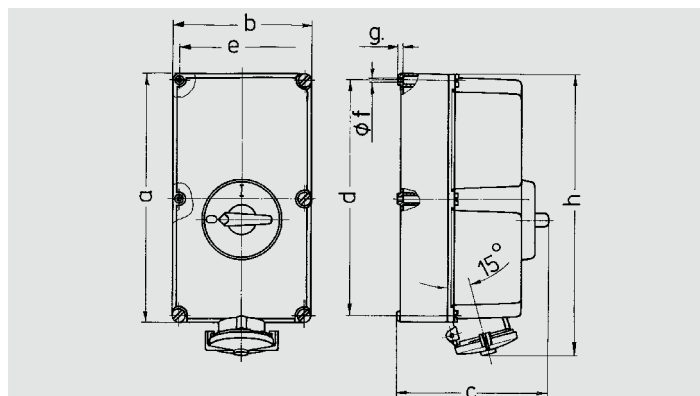
- Standard 508; Industrial Control Equipment
- to CSA 22.2 No. 4-M91
- Standards 1682; 1686 - Plugs and Receptacles, Pin and Sleeve Style
- IEC 60309-1; IEC 60309-2

AUXILIARY CONTACTS: 10A 600VAC

DESCRIPTION	CATALOG NO.
100 Amp; 1 N/O and 1 N/C	ME 80AUX

REPLACEMENT SWITCHES

DESCRIPTION	CATALOG NO.
100 Amp	ME 100MIX



Approximate Dimensions (in inches)

	2 Pole 3 Wire	3 Pole 4 Wire	4 Pole 5 Wire
a	18.11	18.11	18.11
b	10.24	10.24	10.24
c	11.14	11.14	11.14
d	17.09	17.09	17.09
e	9.21	9.21	9.21
f	0.43	0.43	0.43
g	0.35	0.35	0.35
h	20.67	20.67	20.67

FCB Window Series.

Interlocked Receptacles with Fuse or Circuit Breaker Option

20, 30 & 60 Amp; NEMA 4X; 12

ORDERING INFORMATION



AMP	CONFIGURATION	VOLTAGE	MAX. HP RATING *	CATALOG NO. FUSED	CATALOG NO. CIRCUIT BREAKER *	BREAKER RATED INTERRUPTION CAPACITY
20	3 Pole, 4 Wire	125/250	.5; 1	ME 420MIF12-JW	ME 420MICB12-10	10kAIC
		3Ø250	5	ME 420MIF9-JW	ME 420MICB9-6	10kAIC
		3Ø480	10	ME 420MIF7-W	ME 420MICB7-10	6kAIC
30	3 Pole, 4 Wire	125/250	1; 3	ME 430MIF12-JW	ME 430MICB12-10	10kAIC
		3Ø250	7.5	ME 430MIF9-JW	ME 430MICB9-10	10kAIC
		3Ø480	15	ME 430MIF7-JW	ME 430MICB7-6	6kAIC
	4 Pole, 5 Wire	3ØY120/208	7.5	ME 530MIF9-JW	ME 530MICB9-10	10kAIC
		3ØY277/480	15	ME 530MIF7-JW	ME 530MICB7-10	10kAIC
		3ØY347/600	15	ME 530MIF5-JW		
60	3 Pole, 4 Wire	125/250	2.5; 7.5	ME 460MIF12-jW	ME 460MICB12-10	10kAIC
		3Ø250	15	ME 460MIF9-JW	ME 460MICB9-10	10kAIC
		3Ø480	30	ME 460MIF7-JW	ME 460MICB7-6	6kAIC
	4 Pole, 5 Wire	3ØY120/208	15	ME 560MIF9-JW	ME 560MICB9-10	10kAIC
		3ØY277/480	30	ME 560MIF7-JW	ME 560MICB7-6	6kAIC

* Requires use of time delay fuses with fused Cat. Nos.

* 3 Wire Configurations Available - consult factory for Cat. Nos.

HMI Series.

Non-Fusible Interlocked Receptacles.

20 Amp; NEMA 4X; 12



ORDERING INFORMATION



AMP	CONFIGURATION	VOLTAGE	HP RATING	CATALOG NO. *	PLUG PART NO.
20	2 Pole, 3 Wire	125	1	ME 320HMI4	ME 320P4W
		250	2.5	ME 320HMI6	ME 320P6W
		480	5	ME 320HMI7	ME 320P7W
	3 Pole, 4 Wire	125/250	1; 2.5	ME 420HMI12	ME 420P12W
		3Ø250	5	ME 420HMI9	ME 420P9W
		3Ø480	10	ME 420HMI7	ME 420P7W
		3Ø600	10	ME 420HMI5	ME 420P5W
	4 Pole, 5 Wire	3ØY120/208	5	ME 520HMI9	ME 520P9W

* Auxiliary Contact Option. Add suffix M2 to CAT. NO. 1 N/O; 1 N/C .

Compliances and Features:

- Switch:  Standard 508; Industrial Control Equipment
- Receptacles:  Standards 1682; 1686 - Plugs and Receptacles, Pin and Sleeve Style
- IEC 60309-1; IEC 60309-2
- Environmental: NEMA Type 4X; 12
- UL94 - 5V Flame Rating
- UV Stabilized Material